

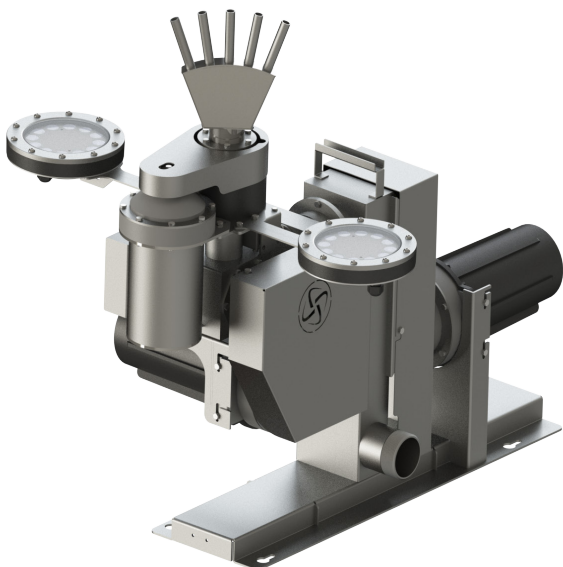
AquaROBO-ROLL

Water Dance with Roll Motion



Elevate your space with our stunning robotic nozzle, designed to captivate and inspire! Combining cutting-edge technology with mesmerizing water displays, these fountains create a dynamic visual experience that enhances any environment. Perfect for parks, commercial spaces, or events, our animated fountains feature customizable patterns and lighting effects, transforming water into art. Easy to install and maintain, they offer a captivating focal point that draws in crowds and creates unforgettable moments. Make a splash with our innovative animated fountains today.

DMX →
← RDM



- ✓ Robust Stainless Steel Body
- ✓ 24VDC Powered & DMX-RDM Controlled
- ✓ IP68 Socket One Cable Connection
- ✓ Synchronorm Dependence Library available
- ✓ Different Nozzle Types With Flange Connection
- ✓ IMU Sensor Integrated for Auto Calibration
- ✓ AquaLIGHT x2 (Optional)
- ✓ Park Position and Zero Position Commands
- ✓ Servo Drive Control on 3-axis
- ✓ Moving Axis;

X-axis 180°, to +/-90° form Zero Position

Y-axis 180°, to +90°/ -70° form Zero Position

Z-axis 360°, limitless



NOZZLE TYPE

FAN

HEPTA

HEIGHT (M)	I/ min	bar	I/ min	bar
2.00 :	164	0.01	248	0.65
3.00 :	212	0.11	270	0.71
5.00 :	273	0.20	350	1.00
7.50 :	297	0.25		

TECHNICAL DETAILS

MODEL :	AquaROBO-ROLL
DIMENSION (LxMxH) :	670x828x700 mm
MATERIAL :	Stainless Steel
WEIGHT :	28 kg
POWER & DMX :	Combo Cable
WATER INLET :	2" NPT Male
NOZZLE OUTPUT :	1 1/2" NPT Female
MAX PRESSURE :	3.3 Bar
CURRENT :	3 A
POWER :	72 W
VOLTAGE :	24 VDC
PRODUCT NO :	1000

COMPATIBLE ELEMENTS AND ACCESSORIES

PRODUCT GROUP	SEE
Nozzles :	Accessory nozzles
Connection :	Connection accessories
Controlling :	Control accessories
Holder and Stand :	Holder and Stand Accs.
Lighting :	Lighting Series

AquaROBO-ROLL redefines water dance with advanced movement capabilities, featuring a 90° +90° range on the X-axis, 90° +70° on the Y-axis, and a full 360° rotation on the C-axis. Driven by three servo motors, it ensures precise motion. The inclusion of Fan and Finger nozzles enhances versatility. AquaROBO-ROLL's seamless movements elevate the visual impact of every performance.

Schematic :

